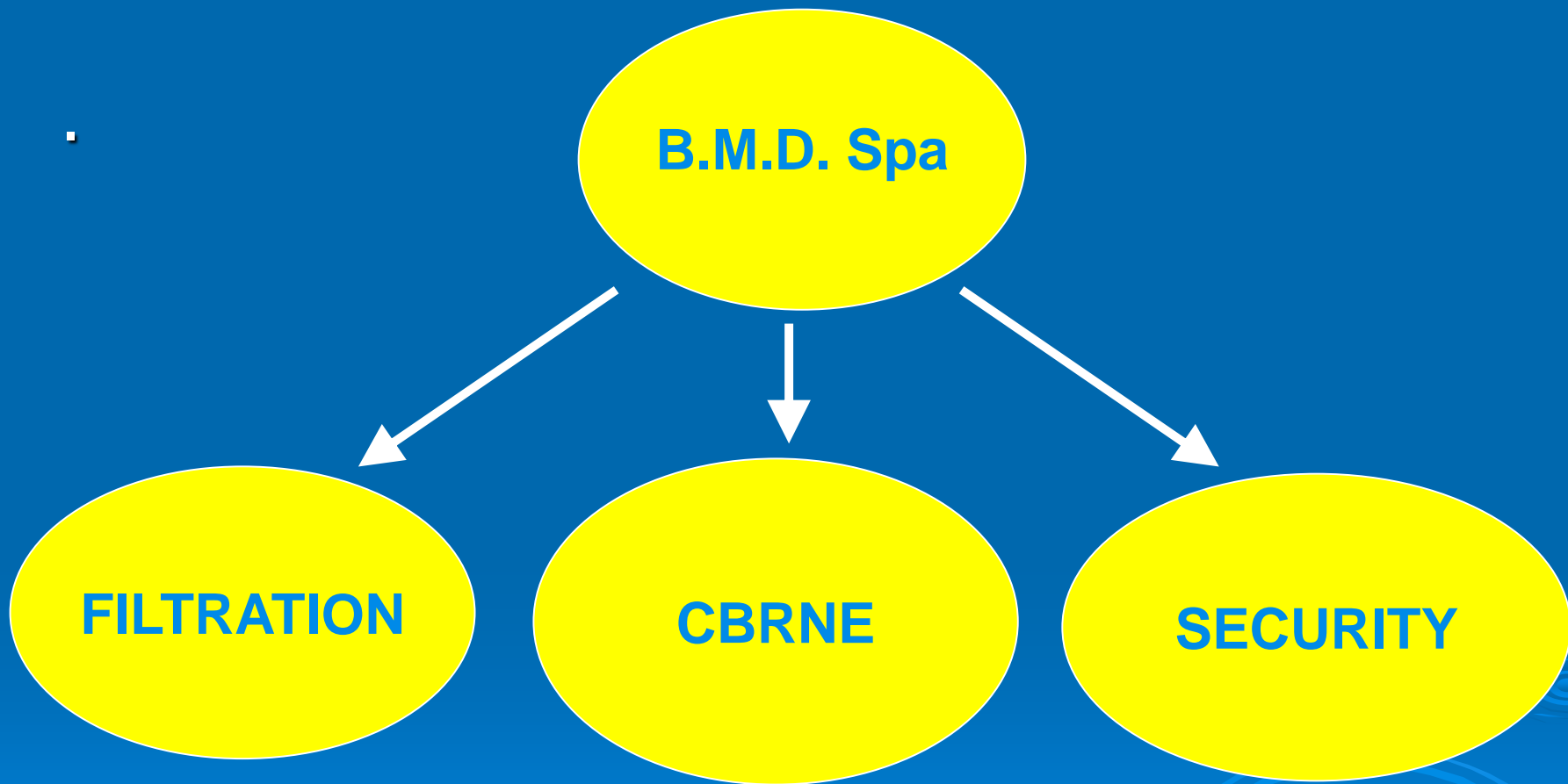


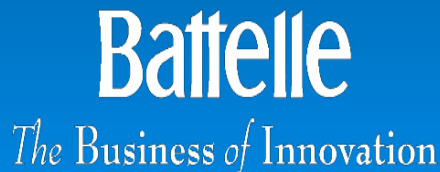
Company overview

- **Founded in 1994 by a group of managers coming from Military Division of Pirelli S.p.A.**
- **B.M.D. S.p.A. is a leading innovation player in the Defense & Security industry. The company offers a full range of solutions for the detection and identification of chemical, biological, radiological and nuclear threats. The systems are especially designed to meet all requirements of civil security and armed forces for CBRNE scenario in all conditions.**
- **The R&D Team works closely with the University of Rome Tor Vergata**
- **Several R&D projects , funded by EU, are ongoing**



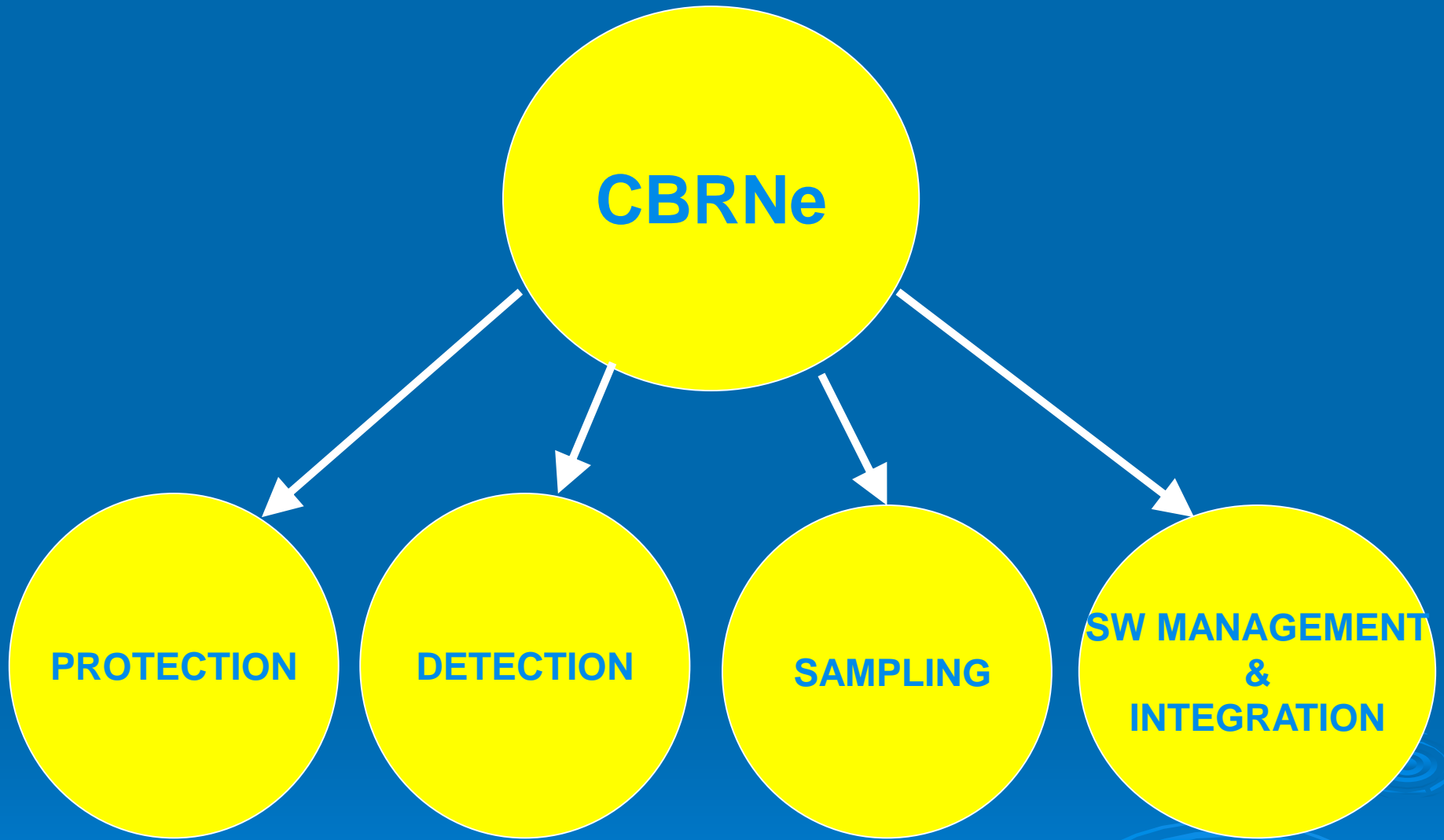
B.M.D. S.p.A.

INTERNATIONAL PARTNERS



MAIN ITALIAN CUSTOMERS/PARTNERS





PRODUCTS PORTFOLIO

RADIOLOGICAL DETECTION

AN/PDR77 AN/UDR13 AN/UDR14

ULTRARADIAC PLUS

TACTICAL HANDHELD RADIOLOGICAL DETECTORS



NASRAMS

RADIOLOGICAL/CHEMICAL DETECTION SYSTEM FOR
NAVY VESSELS



VRDS 600

RADIOLOGICAL SYSTEM FOR
RECONNAISSANCE VEHICLE



BMD

safety systems and technologies

Bio Sampling System RASE



High Flow Biological Air sampling system based wet cyclone for extreme temperature -32° - $+54^{\circ}$ C

Remote BW Agents Identifier



Remote Controlled BW Agents engineered by BMD and including:

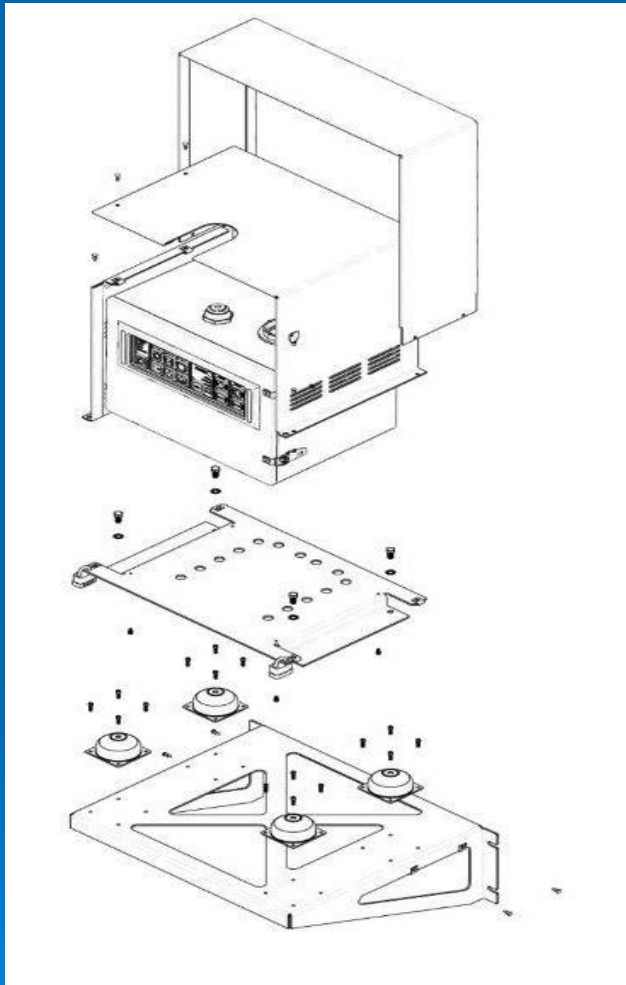
- Trigger
- Bio Airsampler
- BWA identification module

SIBCRA KIT

Full kit for Sampling & Identification of Biological Chemical Radiological Agents in solid, liquid and aerosol/vapor



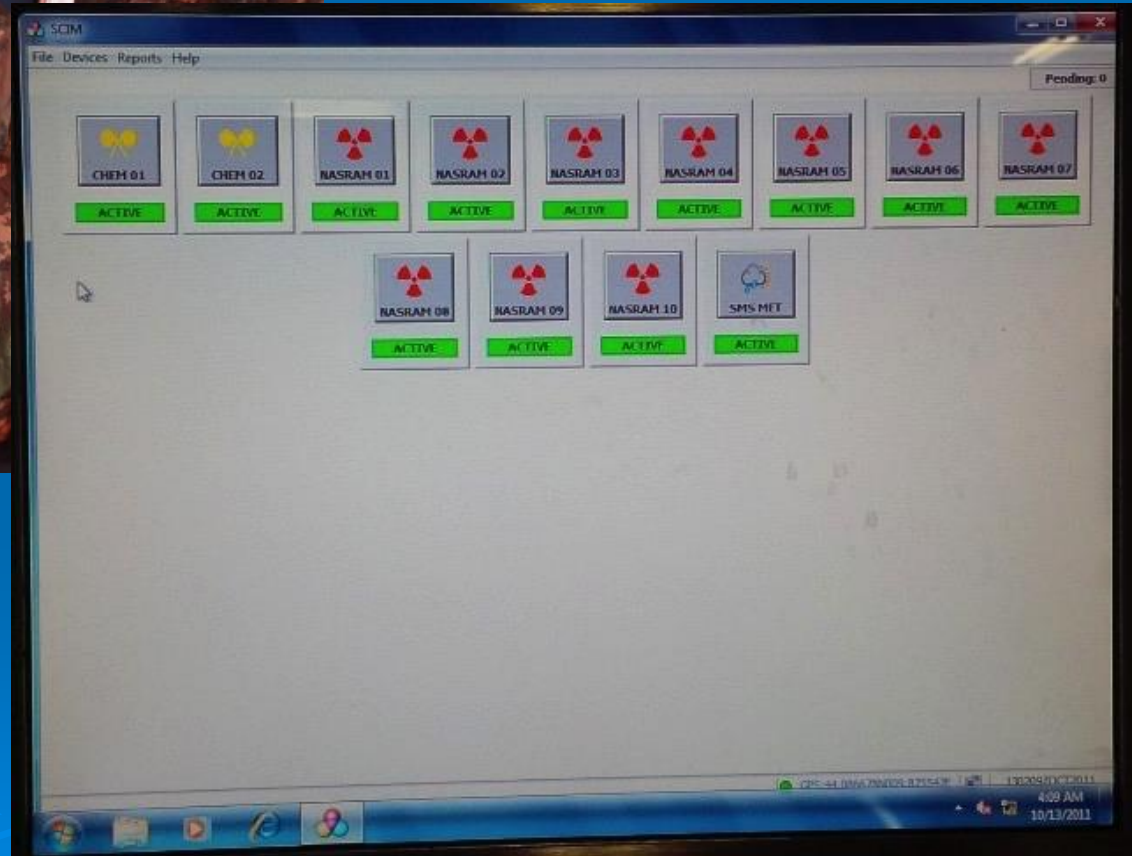
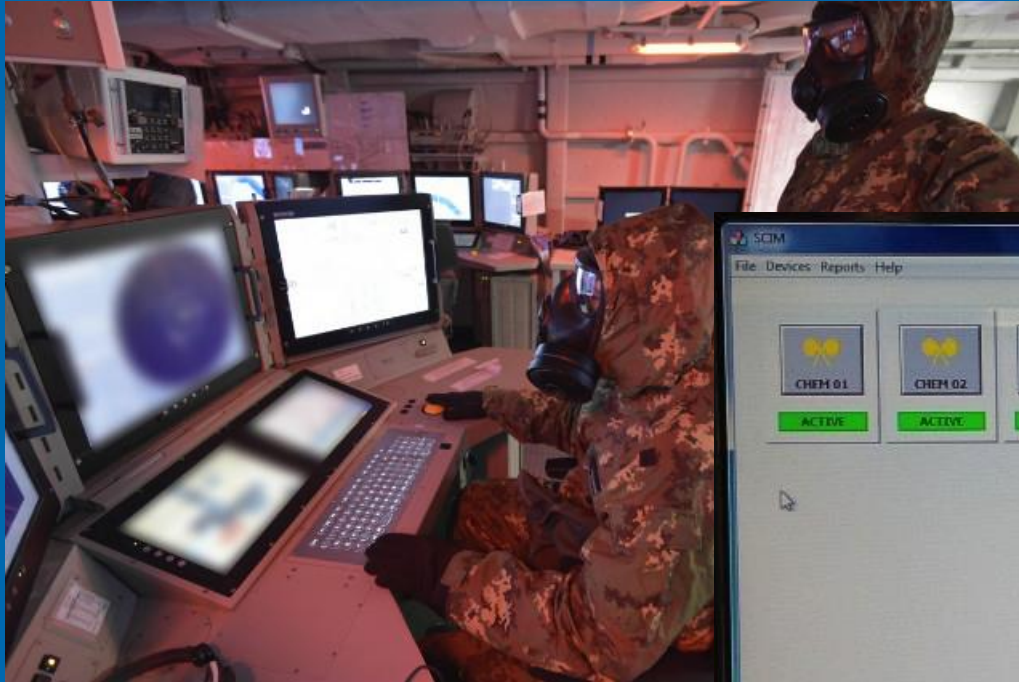
Remote Biological System



REBS- Apparato per l'identificazione in automatico di agenti BWA senza consumabili

Naval Installation

CRN DESYS NBC Console



CRN DESYS NBC Console
in the Combact Room

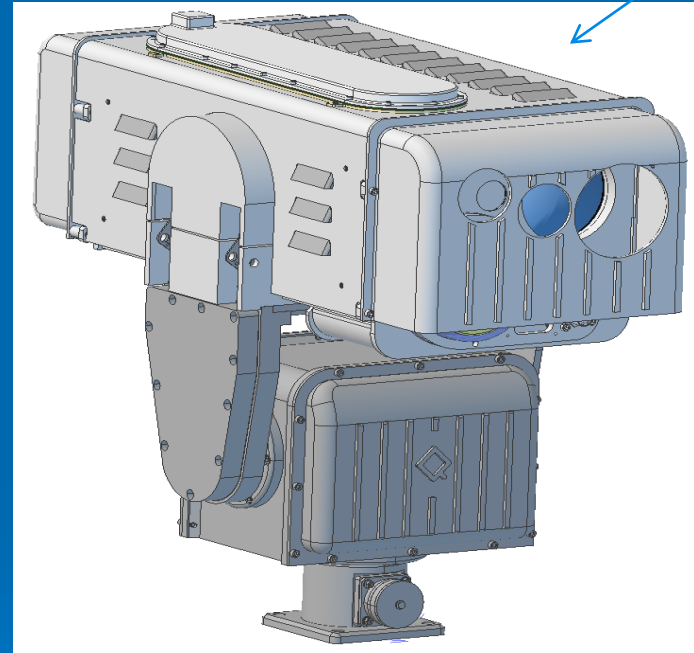
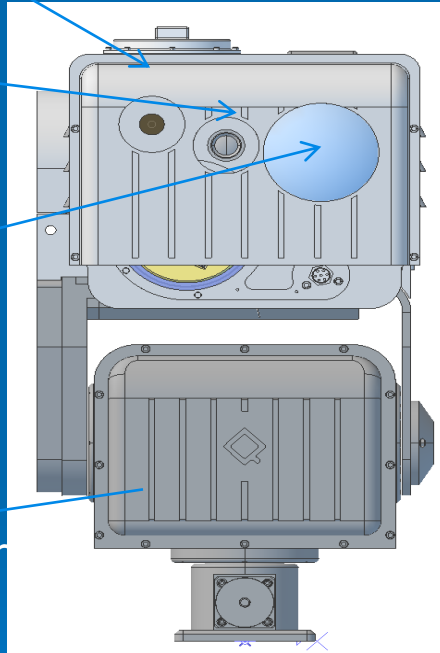
CWA TIC – Rilevatore a distanza

Visible camera

IR
camera/radiometer
(thermal camera)

Updated
FTIR
spectrometer

Rugged environmentally sealed enclosure



MCAD on Pan and Tilt
(continuous 360 rotation
capable)